

Commercial luminaires Mercury LED Mall

Applied for use in public and shopping areas, and office premises.

Technical specification

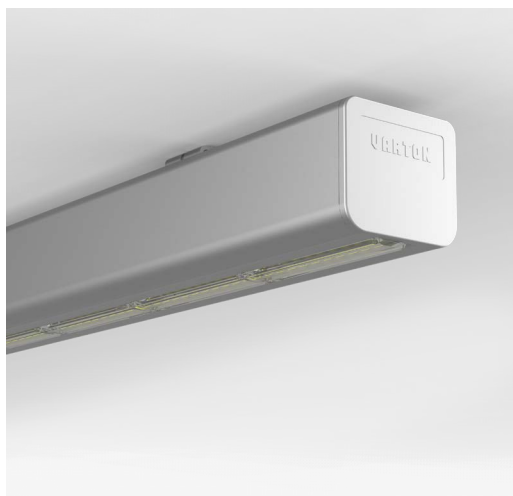
- ▶ Dimensions: 1500×66×58mm
- ▶ Power options: 44W, 56W, 80W
- ▶ Modules Lm output: 6200Lm-12200Lm
- ▶ Luminaire Lm output: 5700Lm-11300Lm
- ▶ Colour temperature: 4000K
- ▶ Colour rendering index $R_a > 80$
- ▶ Input voltage AC176-264V
- ▶ Power factor $\geq 0,97$
- ▶ Lifetime 50 000hrs
- ▶ Operating temperature +1 +45°C
- ▶ 6 types of light curves

Housing and Installation

- ▶ Ingress protection IP23
- ▶ Acryl secondary optics
- ▶ Anodized aluminum housing
- ▶ Surface and suspended mounting
- ▶ Can be connected end-to-end for continuous "light line"

Additional information

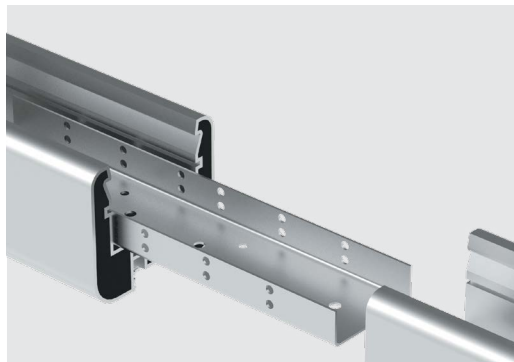
- ▶ 3 year warranty
- ▶ CE-certified (meets EU safety, health and environmental protection requirements)



Accessories for Mercury LED Mall

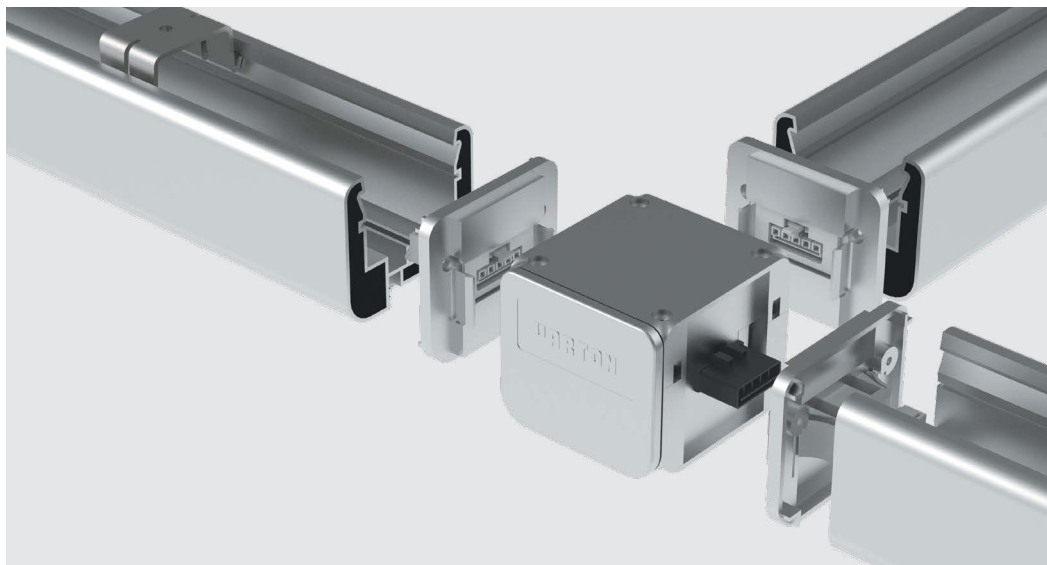
**End-cap**

Product code: V4-R0-00.0007.MM0-0001

**Connecting bracket**

Product code: V4-R0-00.0009.MM0-0001

Connectors for Mercury LED Mall

**Connecting bracket**

Product code: V4-R0-00.0023.MM0-0001

Adapter for L, T, X-type connectors

Product code: V4-R0-00.0024.MM0-0001